

# 承认书

## SPECIFICATION FOR APPROVAL



### 广州市凯辉电子有限公司

Guangzhou Kaihui Electronics CO.,LTD

电话\传真: 020-39934402, 39934452

地址: 广州市南沙区东涌镇太石工业区标准工业园 8 栋 2 楼

WWW.GZKAIHUI.COM

制定	王振	核对	曾凡日	审核	李勇	日期	2018.11.13	第 1 页 共 6 页
----	----	----	-----	----	----	----	------------	-------------



- Small size,high efficiency;
- International universal full voltage input;
- Built-in active PFC function;
- Built-in filter,low noise,high reliability;
- Overload,short-circuit,under-voltage,over output-voltage protection.
- over-temperature protection function.

#### Parameter

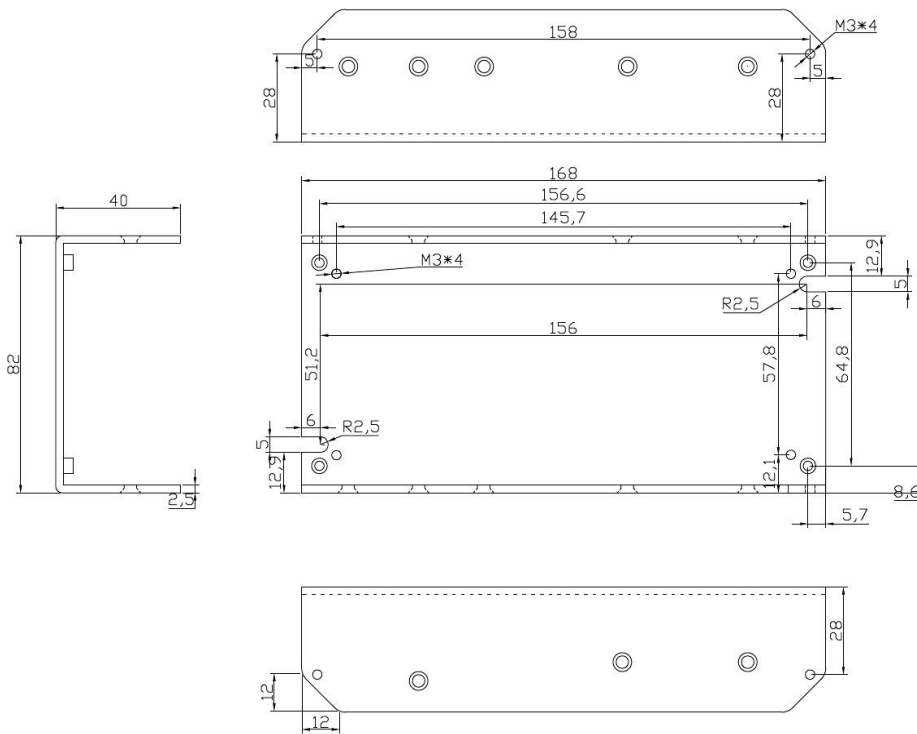
Parameter		Model
		K18C-UP600S24
Output	Output voltage	+24VDC
	Rated current	25A
	Current range	0-25A
	Rated power	600W
	Ripple	500mVp-p
	Adjustable voltage range	22.8-25.2V
	Output accuracy	±1%
	Line regulation	±0.5%
	Load regulation	±1%
	Set up、rise、keep up time	300ms,20ms,12ms
Input	Input voltage range	100V~240V AC
	Input current range	3A/230Vac 6A@115Vac
	Frequency range	50~60Hz
	efficiency	92.5%@230Vac
	Power factor	PF>0.98/115V Or PF>0.95/230V
	Inrush current	Cold start 60A/230Vac
	Leakage	<0.5mA@240V
Protection	Over load protection	105~150% Hiccup protection,automatic recovery.
	Over output-voltage protection	> 120% Shut down,Locked protection,re-power on to recover.
	Short circuit protection	Locked protection,recover after power failure 1 minute.
	Over temp. protection	TS1 temp.>105℃,it will be protected,<70℃,recovery.
Environment	Working temp.humidity	-20~60℃, 10~90% RH, No condensation.



	Storage temp.humidity	-20~85℃, 10~95% RH
	Temperature drift	±0.03%/℃(0~50℃)
	Vibration	10~500Hz, 2G 10min./1cycle, PERIOD FOR 60min. EACH AXES
Safety&EMC standards	Safety standards	GB4943, EN60950-1
	Withstand voltage	I/P-O/P:3KV; I/P-FG: 1.8KV; O/P-FG:0.6KV AC 1min.
	Insulation resistance	I/P-O/P, I/P-FG, O/P-FG:500VDC / 100M Ohms
	EMC standards	EN55022 CLASS B
Others	Dimension	168*82*40mm(L*W*H)
	MTBF	>50K hrs ,MIL-HDBK-217F(25℃)
	Weight	0.68 Kg/Pcs,25pcs/box/18Kg
Remark	<ul style="list-style-type: none"> <li>● All parameter 230VAC input, rated load, environment temperature 25℃, measured under conditions of 70% humidity;</li> <li>● Accuracy: including set up tolerance, line regulation, Load regulation etc.;</li> <li>● Ripple test: 30cm long wire connect power supply and load, load end parallel 0.1u and 47u capacitor, the 20MHz oscilloscope was measured at the load end;</li> <li>● Line regulation: at rated load conditions, the input voltage change from low to high measured;</li> <li>● Load regulation: the measured output from 0-100% load changes measured;</li> <li>● The load is more than 500W, need to add at least 15CFM to heat dissipation.</li> </ul>	

Dimension:

Unit:mm



制定	王振	核对	曾凡日	审核	李勇	日期	2018.11.13	第 2 页 共 3 页
----	----	----	-----	----	----	----	------------	----------------

